



1000 Base-T, ±15kV ESD Protection LAN Switches

MAX4890E/MAX4892E

General Description

The MAX4890E/MAX4892E meet the needs of high-speed differential switching. The devices handle the needs of Gigabit Ethernet (10/100/1000) Base-T switching as well as LVDS and LVPECL switching. The MAX4890E/MAX4892E provide enhanced ESD protection up to ±15kV, and excellent high-frequency response, making the devices especially useful for interfaces that must go to an outside connection.

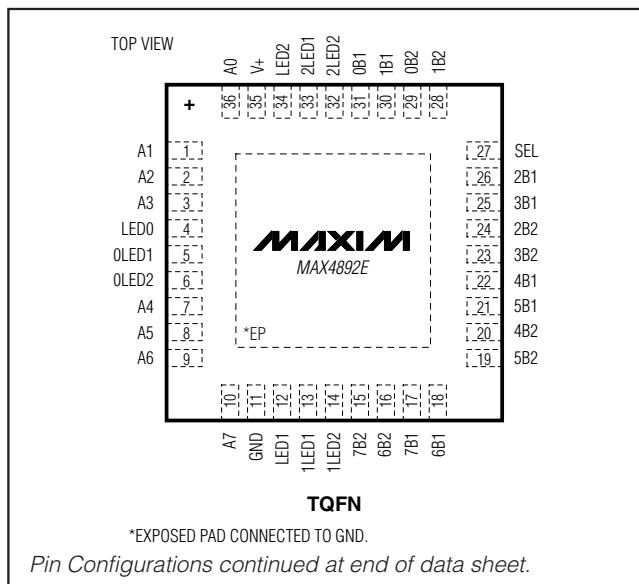
Both devices provide extremely low capacitance (C_{ON}), as well as low resistance (R_{ON}), for low-insertion loss and very wide bandwidth. In addition to the four pairs of DPDT switches, the MAX4892E provides LED switching for laptop computer/docking station use.

The MAX4890E/MAX4892E are pin-for-pin equivalents to the MAX4890/MAX4892 and can replace these devices for those applications requiring the enhanced ESD protection. Both devices are available in space-saving TQFN packages and operate over the standard -40°C to +85°C temperature range.

Applications

Notebooks and Docking Stations
Servers and Routers with Ethernet Interfaces
Board-Level Redundancy Protection
SONET/SDH Signal Routing
T3/E3 Redundancy Protection
LVDS and LVPECL Switching

Pin Configurations



Features

- ◆ ±15kV ESD Protected Per MIL-STD-883, Method 3015
- ◆ Single +3.0V to +3.6V Power-Supply Voltage
- ◆ Low On-Resistance (R_{ON}): 4Ω (typ), 6.5Ω (max)
- ◆ Ultra-Low On-Capacitance (C_{ON}): 8pF (typ)
- ◆ -23dB Return Loss (100MHz)
- ◆ -3dB Bandwidth: 650MHz
- ◆ Optimized Pin Out for Easy Transformer and PHY Interface
- ◆ Built-In LED Switches for Switching Indicators to Docking Station (MAX4892E)
- ◆ Low 450μA (max) Quiescent Current
- ◆ Bidirectional 8 to 16 Multiplexer/Demultiplexer
- ◆ Standard Pin Out, Matching the MAX4890 and MAX4892
- ◆ Space-Saving Lead-Free Packages
 - 32-Pin, 5mm x 5mm, TQFN Package
 - 36-Pin, 6mm x 6mm, TQFN Package

Ordering Information

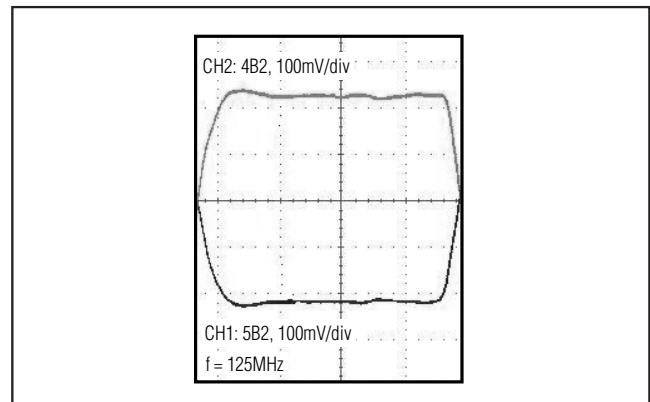
| PART | PIN-PACKAGE | LED SWITCHES | PKG CODE |
|--------------|-------------|--------------|----------|
| MAX4890EETJ+ | 32 TQFN-EP* | — | T-3255-4 |
| MAX4892EETX+ | 36 TQFN-EP* | 3 | T-3666-3 |

+Denotes lead-free package.

Note: All devices are specified over the -40°C to +85°C operating temperature range.

*EP = Exposed pad.

Eye Diagram



Typical Operating Circuit and Functional Diagrams appear at end of data sheet.



1000 Base-T, ±15kV ESD Protection LAN Switches

ABSOLUTE MAXIMUM RATINGS

| | |
|--|----------------------|
| V+ | -0.3V to +4V |
| All Other Pins | -0.3V to (V+ + 0.3V) |
| Continuous Current (A ₋ to B ₋) | ±120mA |
| Continuous Current (LED ₋ to LED ₋) | ±40mA |
| Peak Current (A ₋ to B ₋) | ±240mA |
| (pulsed at 1ms, 10% duty cycle) | |
| Current into Any Other Pin | ±20mA |
| Continuous Power Dissipation (T _A = +70°C) | |
| 32-Pin TQFN (derate 34.5mW/°C above +70°C) | 2.76W |
| 36-Pin TQFN (derate 35.7mW/°C above +70°C) | 2.85W |
| ESD Protection, Human Body Model | ±15kV |

| | |
|-----------------------------------|-----------------|
| Operating Temperature Range | -40°C to +85°C |
| Junction Temperature | +150°C |
| Storage Temperature Range | -65°C to +150°C |
| Lead Temperature (soldering, 10s) | +300°C |

Stresses beyond those listed under "Absolute Maximum Ratings" may cause permanent damage to the device. These are stress ratings only, and functional operation of the device at these or any other conditions beyond those indicated in the operational sections of the specifications is not implied. Exposure to absolute maximum rating conditions for extended periods may affect device reliability.

ELECTRICAL CHARACTERISTICS

(V+ = +3V to +3.6V, T_A = T_J = T_{MIN} to T_{MAX}, unless otherwise noted. Typical values are at V+ = 3.3V, T_A = +25°C.) (Note 1)

| PARAMETER | SYMBOL | CONDITIONS | MIN | TYP | MAX | UNITS |
|--------------------------------------|-----------------------|---|--------------------------------------|------|-----|-------|
| ANALOG SWITCH | | | | | | |
| On-Resistance | R _{ON} | V+ = 3V, I _{A-} = -40mA, V _{A-} = 0, 1.5V, 3V | T _A = +25°C | 4 | 5.5 | Ω |
| | | | T _{MIN} to T _{MAX} | | 6.5 | |
| On-Resistance LED Switches | R _{ONLED} | V+ = 3V, I _{LED-} = -40mA, V _{LED-} = 0, 1.5V, 3V (MAX4892E) | | | 40 | Ω |
| On-Resistance Match Between Channels | ΔR _{ON} | V+ = 3V, I _{A-} = -40mA, V _{A-} = 0, 1.5V, 3V (Note 2) | T _A = +25°C | 0.5 | 1.5 | Ω |
| | | | T _{MIN} to T _{MAX} | | 2 | |
| On-Resistance Flatness | R _{FLAT(ON)} | V+ = 3V, I _{A-} = -40mA, V _{A-} = 1.5V, 3V | | 0.01 | | Ω |
| Off-Leakage Current | I _{LA(OFF)} | V+ = 3.6V, V _{A-} = 0.3V, 3.3V; V _{B1} or V _{B2} = 3.3V, 0.3V | -1 | | +1 | μA |
| On-Leakage Current | I _{LA(ON)} | V+ = 3.6V, V _{A-} = 0.3V, 3.3V; V _{B1} or V _{B2} = 0.3V, 3.3V or floating | -1 | | +1 | |
| ESD PROTECTION | | | | | | |
| ESD Protection | | Human Body Model (spec MIL-STD-883, Method 3015) | | ±15 | | kV |
| SWITCH AC PERFORMANCE | | | | | | |
| Insertion Loss | I _{LOS} | R _S = R _L = 50Ω, unbalanced, f = 1MHz, (Note 2) | | 0.6 | | dB |
| Return Loss | R _{LOS} | f = 100MHz | | -23 | | dB |

1000 Base-T ±15kV ESD Protection LAN Switch

MAX4890E/MAX4892E

ELECTRICAL CHARACTERISTICS (continued)

(V+ = +3V to +3.6V, T_A = T_J = T_{MIN} to T_{MAX}, unless otherwise noted. Typical values are at V+ = 3.3V, T_A = +25°C.) (Note 1)

| PARAMETER | SYMBOL | CONDITIONS | MIN | TYP | MAX | UNITS |
|---------------------------------|-------------------------------------|---|------------|------|-----|-------|
| Crosstalk | V _{CT1} | Any switch to any switch; R _S = R _L = 50Ω, unbalanced, Figure 1 | f = 25MHz | -50 | | dB |
| | V _{CT2} | | f = 125MHz | -26 | | |
| SWITCH AC CHARACTERISTIC | | | | | | |
| -3dB Bandwidth | BW | R _S = R _L = 50Ω, unbalanced | | 650 | | MHz |
| Off-Capacitance | C _{OFF} | f = 1MHz, _B_, A_ | | 3.5 | | pF |
| On-Capacitance | C _{ON} | f = 1MHz, _B_, A_ | | 6.5 | | pF |
| Turn-On Time | t _{ON} | V _{A_} = 1V, R _L , 100Ω, Figure 2 | | | 50 | ns |
| Turn-Off Time | t _{OFF} | V _{A_} = 1V, R _L , 100Ω, Figure 2 | | | 50 | ns |
| Propagation Delay | t _{PLH} , t _{PHL} | R _S = R _L = 50Ω, unbalanced, Figure 3 | | 0.1 | | ns |
| Output Skew Between Ports | t _{SK(o)} | Skew between any two ports, Figure 4 | | 0.01 | | ns |
| SWITCH LOGIC | | | | | | |
| Input-Voltage Low | V _{IL} | V+ = 3.0V | | | 0.8 | V |
| Input-Voltage High | V _{IH} | V+ = 3.6V | 2.0 | | | |
| Input-Logic Hysteresis | V _{HYST} | V+ = 3.3V | | 100 | | mV |
| Input Leakage Current | I _{SEL} | V+ = 3.6V, V _{SEL} = 0 or V+ | -5 | | +5 | μA |
| Operating Supply-Voltage Range | V+ | | 3.0 | | 3.6 | V |
| Quiescent Supply Current | I+ | V+ = 3.6V, V _{SEL} = 0 or V+ | | 280 | 450 | μA |

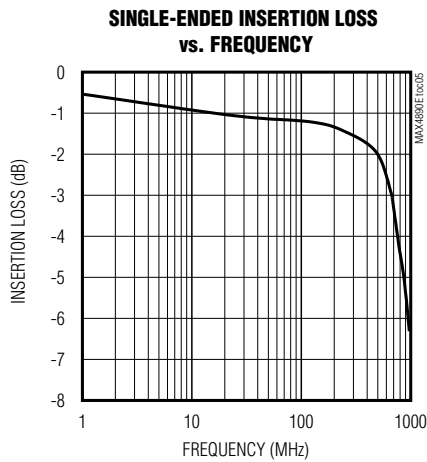
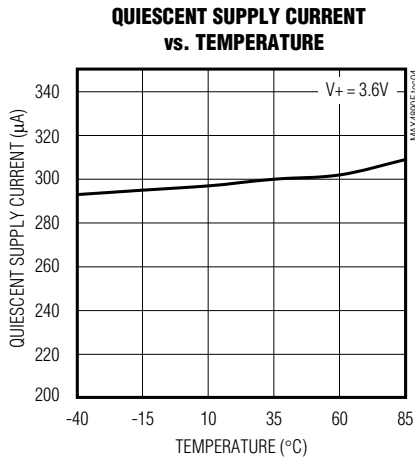
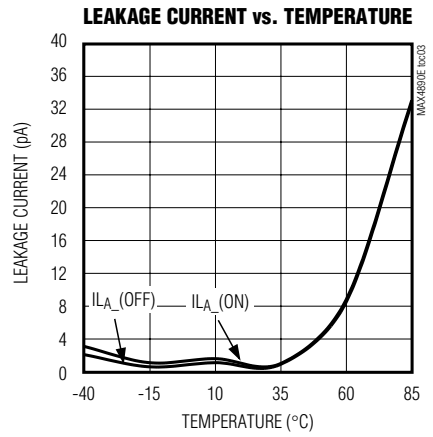
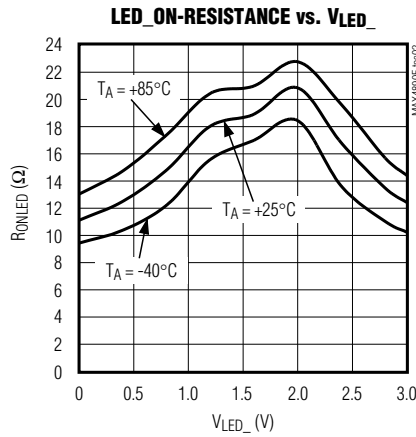
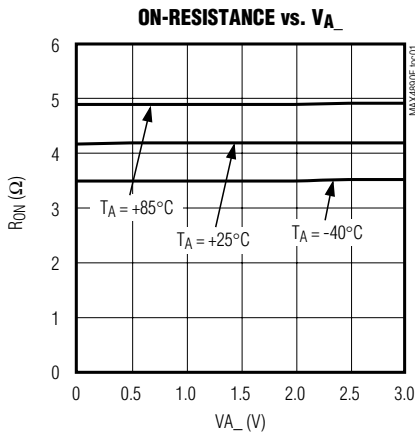
Note 1: Specifications at -40°C are guaranteed by design.

Note 2: Guaranteed by design.

1000 Base-T, ±15kV ESD Protection LAN Switches

Typical Operating Characteristics

(V+ = 3.3V, T_A = +25°C, unless otherwise noted.)



1000 Base-T ±15kV ESD Protection LAN Switch

Pin Description

MAX4890E/MAX4892E

| PIN | | NAME | FUNCTION |
|----------|----------|-------|--|
| MAX4892E | MAX4890E | | |
| 1 | 32 | A1 | Differential PHY Interface Pair. Connect to the Ethernet PHY. |
| 2 | 1 | A2 | Differential PHY Interface Pair. Connect to the Ethernet PHY. |
| 3 | 2 | A3 | Differential PHY Interface Pair. Connect to the Ethernet PHY. |
| 4 | — | LED0 | LED0 Input |
| 5 | — | 0LED1 | 0LED1 Output. Drive SEL low (SEL = 0) to connect LED0 to 0LED1. |
| 6 | — | 0LED2 | 0LED2 Output. Drive SEL high (SEL = 1) to connect LED0 to 0LED2. |
| 7 | 7 | A4 | Differential PHY Interface Pair. Connect to the Ethernet PHY. |
| 8 | 8 | A5 | Differential PHY Interface Pair. Connect to the Ethernet PHY. |
| 9 | 9 | A6 | Differential PHY Interface Pair. Connect to the Ethernet PHY. |
| 10 | 10 | A7 | Differential PHY Interface Pair. Connect to the Ethernet PHY. |
| 11 | 11 | GND | Ground |
| 12 | — | LED1 | LED1 Input |
| 13 | — | 1LED1 | 1LED1 Output. Drive SEL low (SEL = 0) to connect LED1 to 1LED1. |
| 14 | — | 1LED2 | 1LED2 Output. Drive SEL high (SEL = 1) to connect LED1 to 1LED2. |
| 15 | 13 | 7B2 | B2 Differential Pair |
| 16 | 14 | 6B2 | B2 Differential Pair |
| 17 | 15 | 7B1 | B1 Differential Pair |
| 18 | 16 | 6B1 | B1 Differential Pair |
| 19 | 17 | 5B2 | B2 Differential Pair |
| 20 | 18 | 4B2 | B2 Differential Pair |
| 21 | 19 | 5B1 | B1 Differential Pair |
| 22 | 20 | 4B1 | B1 Differential Pair |
| 23 | 21 | 3B2 | B2 Differential Pair |
| 24 | 22 | 2B2 | B2 Differential Pair |
| 25 | 23 | 3B1 | B1 Differential Pair |
| 26 | 24 | 2B1 | B1 Differential Pair |
| 27 | 29 | SEL | Select Input. SEL selects switch connection. See the Truth Table (Table1). |
| 28 | 25 | 1B2 | B2 Differential Pair |
| 29 | 26 | 0B2 | B2 Differential Pair |
| 30 | 27 | 1B1 | B1 Differential Pair |
| 31 | 28 | 0B1 | B1 Differential Pair |
| 32 | — | 2LED2 | 2LED2 Output. Drive SEL high (SEL = 1) to connect LED2 to 2LED2. |
| 33 | — | 2LED1 | 2LED1 Output. Drive SEL low (SEL = 0) to connect LED2 to 2LED1. |
| 34 | — | LED2 | LED2 Input |
| 35 | 30 | V+ | Positive-Supply Voltage Input. Bypass to GND with a 0.1µF ceramic capacitor. |
| 36 | 31 | A0 | Differential PHY Interface Pair. Connect to the Ethernet PHY. |
| — | 3-6, 12 | N.C. | No Connection. Not internally connected. |
| — | — | EP | Exposed Pad. Connect exposed pad to GND or leave it unconnected. |

1000 Base-T, ±15kV ESD Protection LAN Switches

MAX4890E/MAX4892E

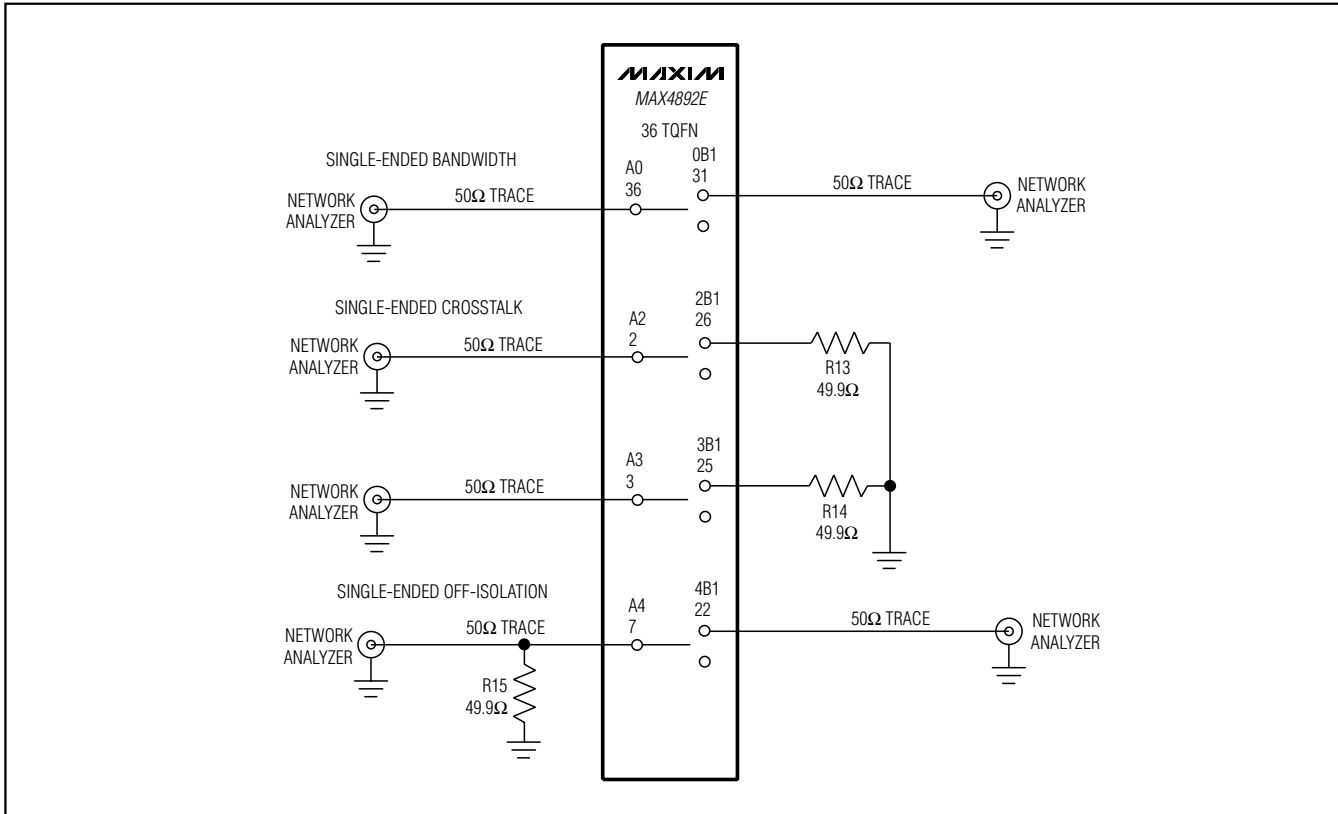


Figure 1. Single-Ended Bandwidth, Crosstalk, and Off-Isolation

Detailed Description

The MAX4890E/MAX4892E are high-speed analog switches targeted for 1000 Base-T applications. In a typical application, the MAX4890E/MAX4892E switch the signals from two separate interface transformers and connect the signals to a single 1000 Base-T Ethernet PHY (see the *Typical Operating Circuit*). This configuration simplifies docking station design by avoiding signal reflections associated with unterminated transmission lines in a T configuration. The MAX4890E/MAX4892E are protected against ±15kV electrostatic discharge (ESD) shocks. The MAX4892E also includes LED switches that allow the LED output signals to be routed to a docking station along with the Ethernet signals. See the *Functional Diagrams*.

With their low resistance and capacitance, as well as high ESD protection, the MAX4890E/MAX4892E can be used to switch most low-voltage differential signals,

such as LVDS, SEREDES, and LVPECL, as long as the signals do not exceed maximum ratings of the devices.

The MAX4890E/MAX4892E switches provide an extremely low capacitance and on-resistance to meet Ethernet insertion and return-loss specifications. The MAX4892E features three built-in LED switches.

The MAX4890E/MAX4892E incorporate a unique architecture design utilizing only n-channel switches within the main Ethernet switch, reducing I/O capacitance and channel resistance. An internal two-stage charge pump with a nominal output of 7.5V provides the high voltage needed to drive the gates of the n-channel switches while maintaining a consistently low R_{ON} throughout the input signal range. An internal bandgap reference set to 1.23V and an internal oscillator running at 2.5MHz provide proper charge-pump operation. Unlike other charge-pump circuits, the MAX4890E/MAX4892E include internal flyback capacitors, reducing design time, board space, and cost.

1000 Base-T, $\pm 15\text{kV}$ ESD Protection LAN Switches

Table 1. Truth Table

| SEL | CONNECTION |
|-----|--------------------------|
| 0 | A_ to _B1, LED_ to _LED1 |
| 1 | A_ to _B2, LED_ to _LED2 |

Digital Control Inputs

The MAX4890E/MAX4892E provide a single digital control SEL. SEL controls the switches as well as the LED switches as shown in Table 1.

Analog Signal Levels

The on-resistance of the MAX4890E/MAX4892E is very low and stable as the analog input signals are swept from ground to $V+$ (see the *Typical Operating Characteristics*). The switches are bidirectional, allowing A_ and _B_ to be configured as either inputs or outputs.

ESD Protection

The MAX4890E/MAX4892E are characterized using the Human Body Model for $\pm 15\text{kV}$ of ESD protection. Figure 5 shows the Human Body Model. This model consists of a 100pF capacitor charged to the ESD voltage of interest which is then discharged into the test device through a 1.5k Ω resistor. All signal and control pins are ESD protected to $\pm 15\text{kV}$ HBM (Human Body Model).

Applications Information

Typical Operating Circuit

The *Typical Operating Circuit* shows the MAX4890E/MAX4892E in a 1000 Base-T docking station application.

Power-Supply Sequencing and Overvoltage Protection

Caution: Do not exceed the absolute maximum ratings. Stresses beyond the listed ratings may cause permanent damage to the device.

Proper power-supply sequencing is recommended for all CMOS devices. Always apply $V+$ before applying analog signals, especially if the analog signal is not current limited.

Layout

High-speed switches require proper layout and design procedures for optimum performance. Keep design-controlled-impedance pc board traces as short as possible. Ensure that bypass capacitors are as close as possible to the device. Use large ground planes where possible.

Chip Information

PROCESS: BiCMOS

1000 Base-T, ±15kV ESD Protection LAN Switches

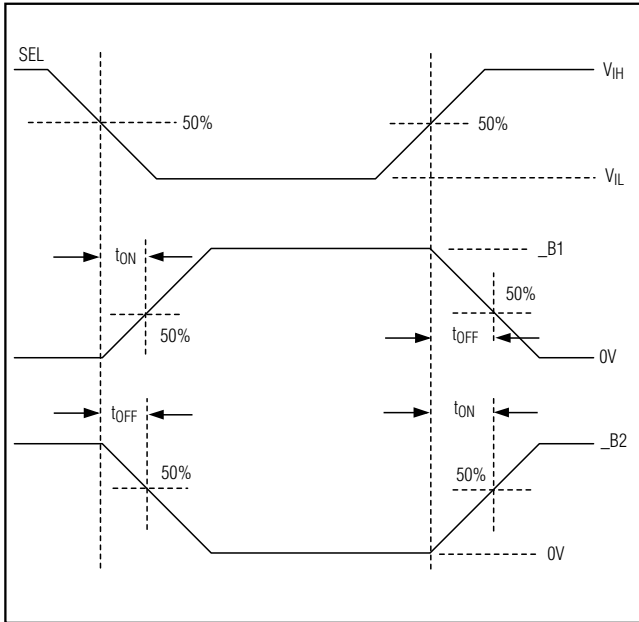


Figure 2. Turn-On and Turn-Off Times

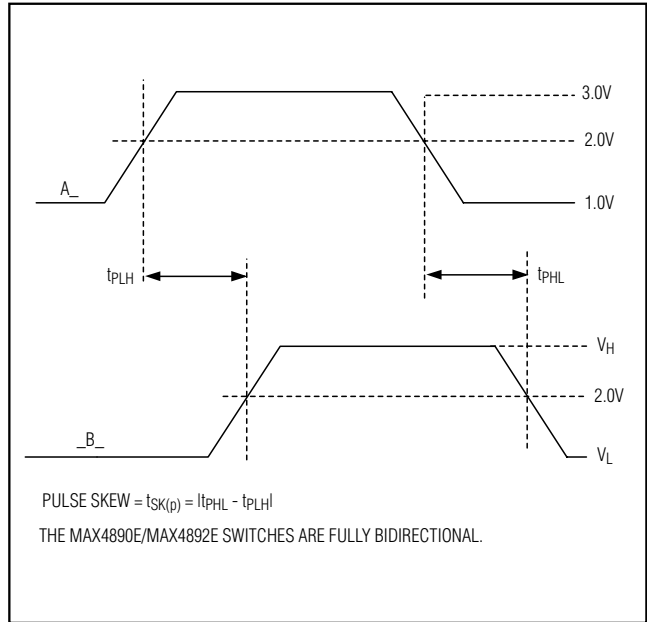


Figure 3. Propagation Delay Times

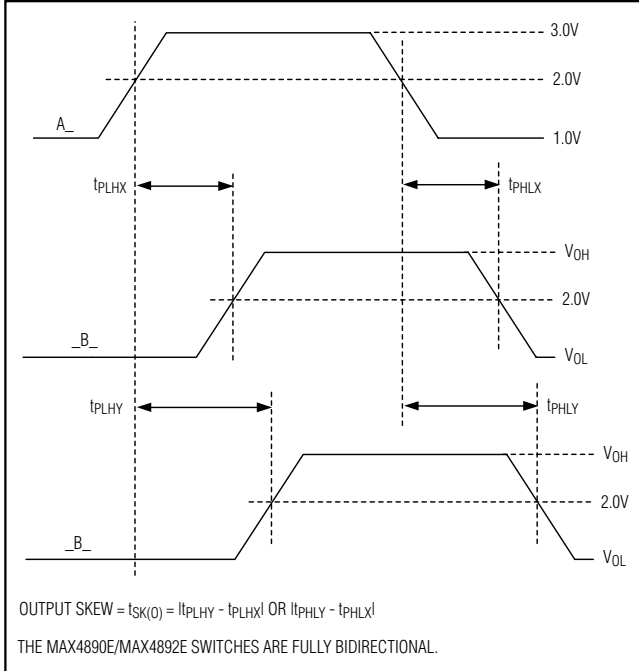


Figure 4. Output Skew

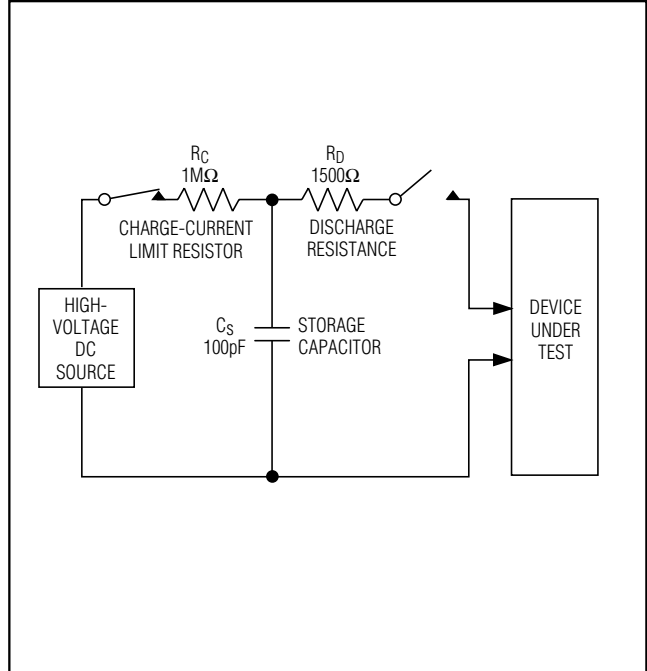
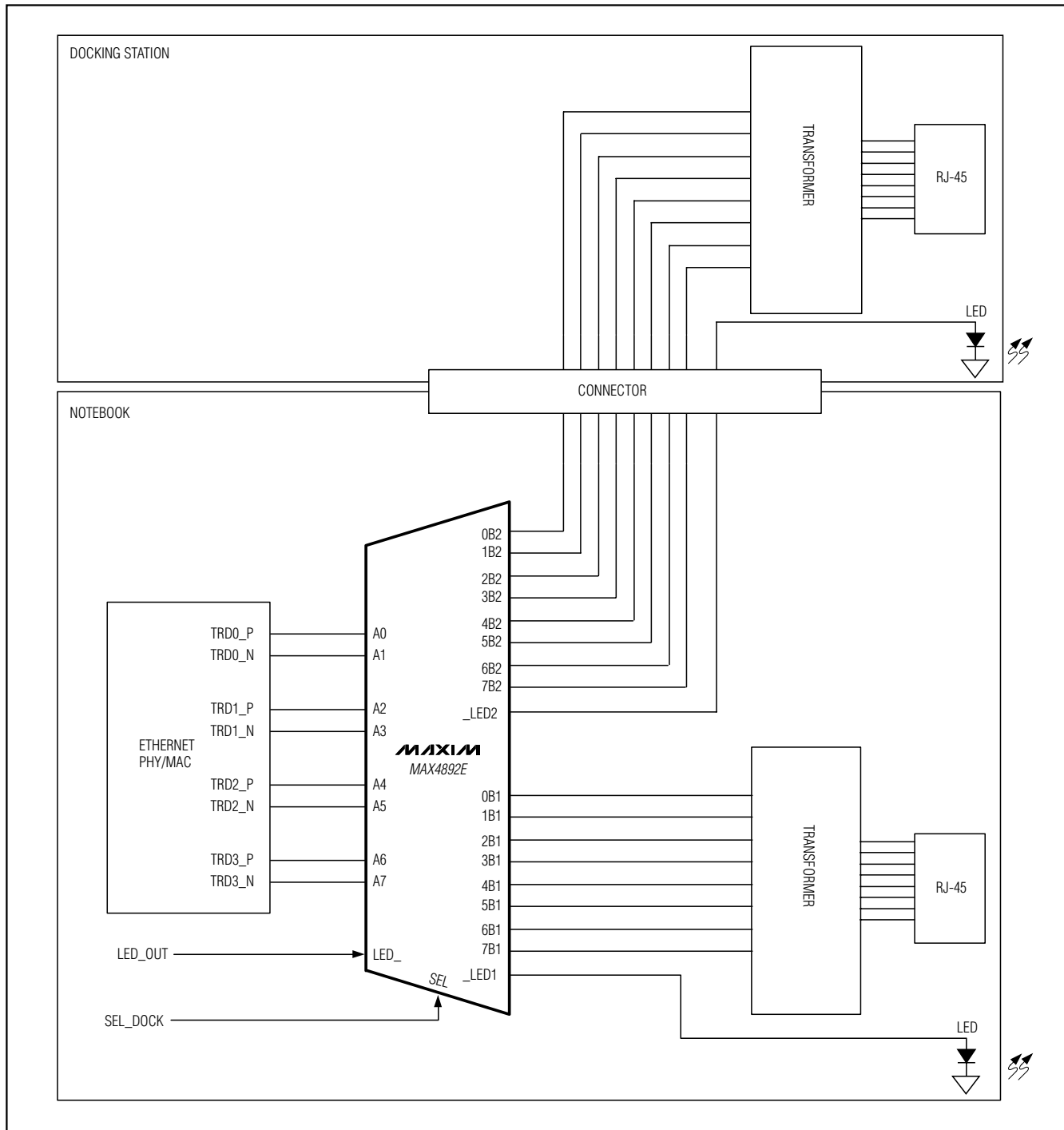


Figure 5. Human Body ESD Test Model (MIL-STD-883, Method 3015)

1000 Base-T, ±15kV ESD Protection LAN Switches

Typical Operating Circuit

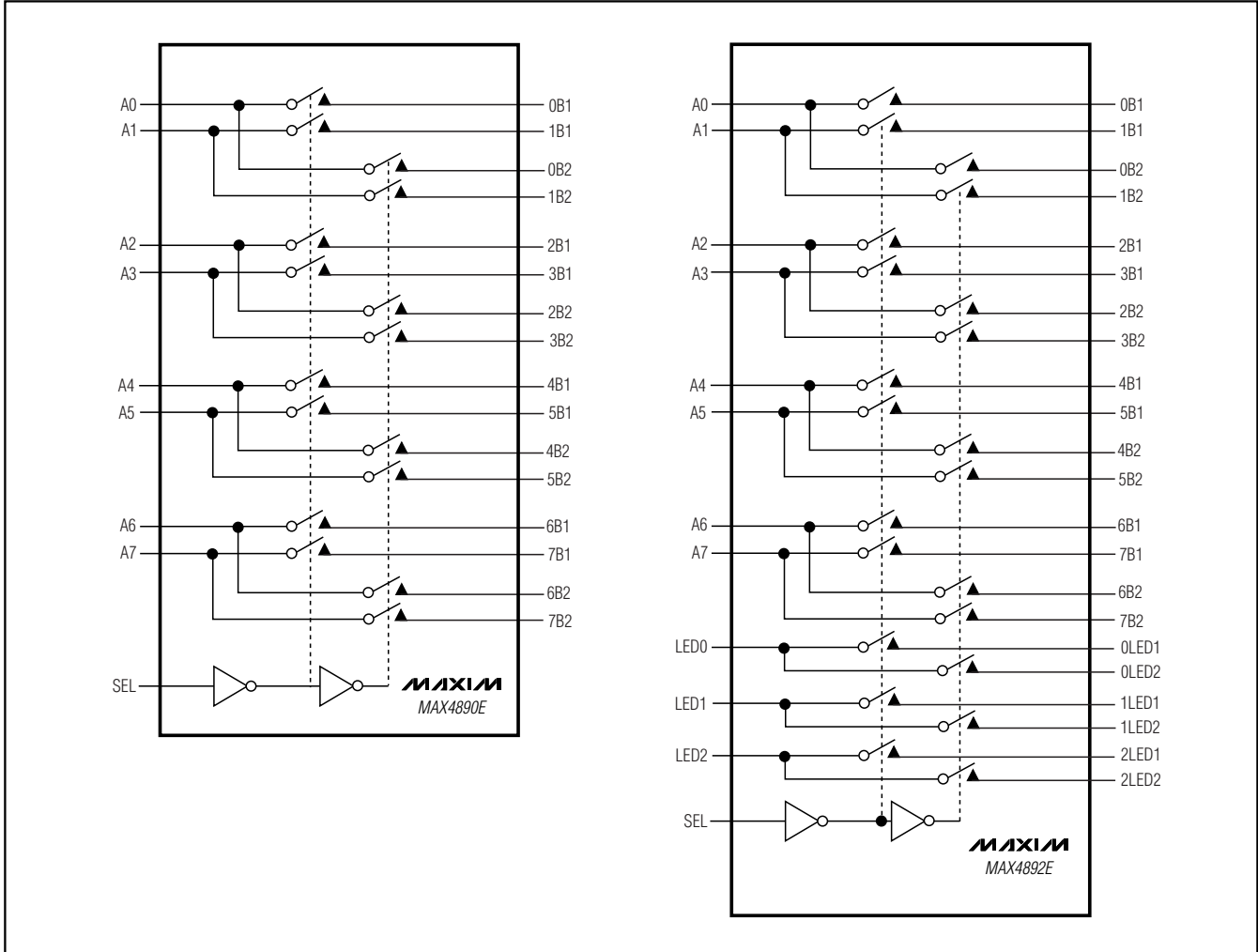
MAX4890E/MAX4892E



1000 Base-T, ±15kV ESD Protection LAN Switches

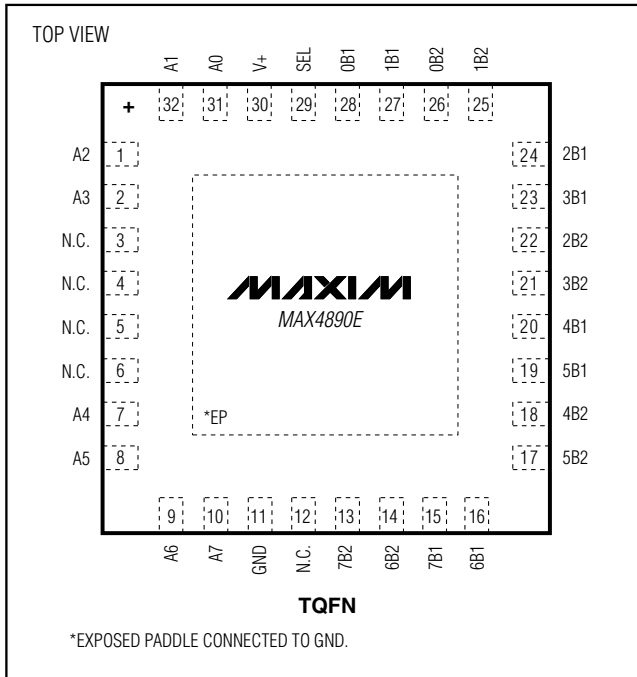
MAX4890E/MAX4892E

Functional Diagrams



1000 Base-T, ±15kV ESD Protection LAN Switches

Pin Configurations (continued)

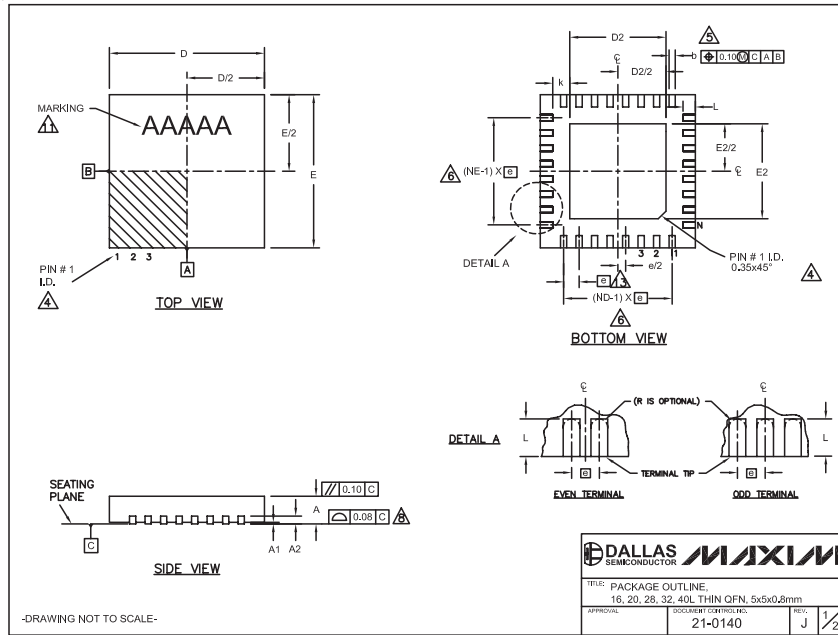


MAX4890E/MAX4892E

1000 Base-T, ±15kV ESD Protection LAN Switches

Package Information

(The package drawing(s) in this data sheet may not reflect the most current specifications. For the latest package outline information, go to www.maxim-ic.com/packages.)



| COMMON DIMENSIONS | | | | | | | | | | | | | | | | |
|-------------------|-----------|------|--------|-----------|------|------|-----------|------|------|-----------|------|------|-----------|------|------|------|
| PKG. | 16L 5x5 | | | 20L 5x5 | | | 28L 5x5 | | | 32L 5x5 | | | 40L 5x5 | | | |
| SYMBOL | MIN. | NOM. | MAX. | MIN. | NOM. | MAX. | MIN. | NOM. | MAX. | MIN. | NOM. | MAX. | MIN. | NOM. | MAX. | |
| A | 0.70 | 0.75 | 0.80 | 0.70 | 0.75 | 0.80 | 0.70 | 0.75 | 0.80 | 0.70 | 0.75 | 0.80 | 0.70 | 0.75 | 0.80 | |
| A1 | 0 | 0.02 | 0.05 | 0 | 0.02 | 0.05 | 0 | 0.02 | 0.05 | 0 | 0.02 | 0.05 | 0 | 0.02 | 0.05 | |
| A2 | 0.20 REF. | | | 0.20 REF. | | | 0.20 REF. | | | 0.20 REF. | | | 0.20 REF. | | | |
| b | 0.25 | 0.30 | 0.35 | 0.25 | 0.30 | 0.35 | 0.25 | 0.30 | 0.20 | 0.25 | 0.30 | 0.25 | 0.30 | 0.15 | 0.20 | 0.25 |
| D | 4.90 | 5.00 | 5.10 | 4.90 | 5.00 | 5.10 | 4.90 | 5.00 | 5.10 | 4.90 | 5.00 | 5.10 | 4.90 | 5.00 | 5.10 | |
| E | 4.90 | 5.00 | 5.10 | 4.90 | 5.00 | 5.10 | 4.90 | 5.00 | 5.10 | 4.90 | 5.00 | 5.10 | 4.90 | 5.00 | 5.10 | |
| e | 0.80 BSC. | | | 0.65 BSC. | | | 0.50 BSC. | | | 0.50 BSC. | | | 0.40 BSC. | | | |
| k | 0.25 | - | - | 0.25 | - | - | 0.25 | - | - | 0.25 | - | - | 0.25 | - | - | |
| L | 0.30 | 0.40 | 0.50 | 0.45 | 0.55 | 0.65 | 0.45 | 0.55 | 0.65 | 0.30 | 0.40 | 0.50 | 0.30 | 0.40 | 0.50 | |
| N | 16 | 20 | 28 | 32 | 40 | | | | | | | | | | | |
| ND | 4 | 5 | 7 | 8 | 10 | | | | | | | | | | | |
| NE | 4 | 5 | 7 | 8 | 10 | | | | | | | | | | | |
| JEDEC | WHHB | WHHC | WHHD-1 | WHHD-2 | --- | | | | | | | | | | | |

| EXPOSED PAD VARIATIONS | | | | | | | | |
|------------------------|------|------|------|------|------|------|--|--|
| PKG. CODES | D2 | | | E2 | | | | |
| | MIN. | NOM. | MAX. | MIN. | NOM. | MAX. | | |
| T1655-2 | 3.00 | 3.10 | 3.20 | 3.00 | 3.10 | 3.20 | | |
| T1655-3 | 3.00 | 3.10 | 3.20 | 3.00 | 3.10 | 3.20 | | |
| T1655N-1 | 3.00 | 3.10 | 3.20 | 3.00 | 3.10 | 3.20 | | |
| T2055-3 | 3.00 | 3.10 | 3.20 | 3.00 | 3.10 | 3.20 | | |
| T2055-4 | 3.00 | 3.10 | 3.20 | 3.00 | 3.10 | 3.20 | | |
| T2055-5 | 3.15 | 3.25 | 3.35 | 3.15 | 3.25 | 3.35 | | |
| T2855-3 | 3.15 | 3.25 | 3.35 | 3.15 | 3.25 | 3.35 | | |
| T2855-4 | 2.60 | 2.70 | 2.80 | 2.60 | 2.70 | 2.80 | | |
| T2855-5 | 2.60 | 2.70 | 2.80 | 2.60 | 2.70 | 2.80 | | |
| T2855-6 | 3.15 | 3.25 | 3.35 | 3.15 | 3.25 | 3.35 | | |
| T2855-7 | 2.60 | 2.70 | 2.80 | 2.60 | 2.70 | 2.80 | | |
| T2855-8 | 3.15 | 3.25 | 3.35 | 3.15 | 3.25 | 3.35 | | |
| T2855N-1 | 3.15 | 3.25 | 3.35 | 3.15 | 3.25 | 3.35 | | |
| T3255-3 | 3.00 | 3.10 | 3.20 | 3.00 | 3.10 | 3.20 | | |
| T3255-4 | 3.00 | 3.10 | 3.20 | 3.00 | 3.10 | 3.20 | | |
| T3255-5 | 3.00 | 3.10 | 3.20 | 3.00 | 3.10 | 3.20 | | |
| T3255N-1 | 3.00 | 3.10 | 3.20 | 3.00 | 3.10 | 3.20 | | |
| T4055-1 | 3.40 | 3.50 | 3.60 | 3.40 | 3.50 | 3.60 | | |
| T4055-2 | 3.40 | 3.50 | 3.60 | 3.40 | 3.50 | 3.60 | | |

NOTES:
 1. DIMENSIONING & TOLERANCING CONFORM TO ASME Y14.5M-1994.
 2. ALL DIMENSIONS ARE IN MILLIMETERS, ANGLES ARE IN DEGREES.
 3. N IS THE TOTAL NUMBER OF TERMINALS.
 4. THE TERMINAL #1 IDENTIFIER AND TERMINAL NUMBERING CONVENTION SHALL CONFORM TO JEDEC 95-1 SPP-012. DETAILS OF TERMINAL #1 IDENTIFIER ARE OPTIONAL, BUT MUST BE LOCATED WITHIN THE ZONE INDICATED. THE TERMINAL #1 IDENTIFIER MAY BE EITHER A MOLD OR MARKED FEATURE.
 5. DIMENSION b APPLIES TO METALLIZED TERMINAL AND IS MEASURED BETWEEN 0.25 mm AND 0.30 mm FROM TERMINAL TIP.
 6. ND AND NE REFER TO THE NUMBER OF TERMINALS ON EACH D AND E SIDE RESPECTIVELY.
 7. DEPOPULATION IS POSSIBLE IN A SYMMETRICAL FASHION.
 8. COPLANARITY APPLIES TO THE EXPOSED HEAT SINK SLUG AS WELL AS THE TERMINALS.
 9. DRAWING CONFORMS TO JEDEC MO220, EXCEPT EXPOSED PAD DIMENSION FOR T2855-3 AND T2855-6.
 10. WARPAGE SHALL NOT EXCEED 0.10 mm.
 11. MARKING IS FOR PACKAGE ORIENTATION REFERENCE ONLY.
 12. NUMBER OF LEADS SHOWN ARE FOR REFERENCE ONLY.
 13. LEAD CENTERLINES TO BE AT TRUE POSITION AS DEFINED BY BASIC DIMENSION "e", ±0.05.

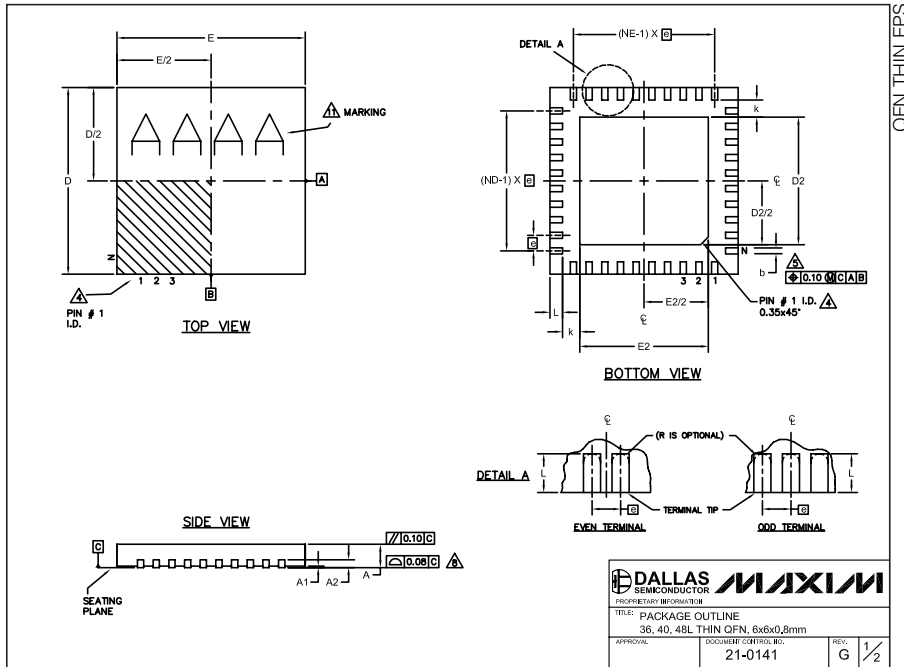
DALLAS SEMICONDUCTOR MAXIM
 THIS PACKAGE OUTLINE:
 16, 20, 28, 32, 40L THIN QFN, 5x5x0.8mm
 APPROVAL: DOCUMENT CONTROL NO. 21-0140 REV: J 2/2

1000 Base-T, ±15kV ESD Protection LAN Switches

Package Information (continued)

(The package drawing(s) in this data sheet may not reflect the most current specifications. For the latest package outline information, go to www.maxim-ic.com/packages.)

MAX4890E/MAX4892E



| COMMON DIMENSIONS | | | | | | | | | |
|-------------------|-----------|------|------|-----------|------|------|-----------|------|------|
| PKG. SYMBOL | 36L 6x6 | | | 40L 6x6 | | | 48L 6x6 | | |
| | MIN. | NOM. | MAX. | MIN. | NOM. | MAX. | MIN. | NOM. | MAX. |
| A | 0.70 | 0.75 | 0.80 | 0.70 | 0.75 | 0.80 | 0.70 | 0.75 | 0.80 |
| A1 | 0 | 0.02 | 0.05 | 0 | 0.02 | 0.05 | 0 | - | 0.05 |
| A2 | 0.20 REF. | | | 0.20 REF. | | | 0.20 REF. | | |
| b | 0.20 | 0.25 | 0.30 | 0.20 | 0.25 | 0.30 | 0.15 | 0.20 | 0.25 |
| D | 5.90 | 6.00 | 6.10 | 5.90 | 6.00 | 6.10 | 5.90 | 6.00 | 6.10 |
| E | 5.90 | 6.00 | 6.10 | 5.90 | 6.00 | 6.10 | 5.90 | 6.00 | 6.10 |
| e | 0.50 BSC. | | | 0.50 BSC. | | | 0.40 BSC. | | |
| k | 0.25 | - | - | 0.25 | - | - | 0.25 | - | - |
| L | 0.45 | 0.55 | 0.65 | 0.30 | 0.40 | 0.50 | 0.30 | 0.40 | 0.50 |
| N | 36 | | | 40 | | | 48 | | |
| ND | 9 | | | 10 | | | 12 | | |
| NE | 9 | | | 10 | | | 12 | | |
| JEDEC | WJJD-1 | | | WJJD-2 | | | - | | |

| EXPOSED PAD VARIATIONS | | | | | | |
|------------------------|------|------|------|------|------|------|
| PKG. CODES | D2 | | | E2 | | |
| | MIN. | NOM. | MAX. | MIN. | NOM. | MAX. |
| T3666-2 | 3.60 | 3.70 | 3.80 | 3.60 | 3.70 | 3.80 |
| T3666-3 | 3.60 | 3.70 | 3.80 | 3.60 | 3.70 | 3.80 |
| T3666N-1 | 3.60 | 3.70 | 3.80 | 3.60 | 3.70 | 3.80 |
| T4066-2 | 4.00 | 4.10 | 4.20 | 4.00 | 4.10 | 4.20 |
| T4066-3 | 4.00 | 4.10 | 4.20 | 4.00 | 4.10 | 4.20 |
| T4066-4 | 4.00 | 4.10 | 4.20 | 4.00 | 4.10 | 4.20 |
| T4066-5 | 4.00 | 4.10 | 4.20 | 4.00 | 4.10 | 4.20 |
| T4866-1 | 4.40 | 4.50 | 4.60 | 4.40 | 4.50 | 4.60 |
| T4866-2 | 4.40 | 4.50 | 4.60 | 4.40 | 4.50 | 4.60 |

NOTES:

- DIMENSIONING & TOLERANCING CONFORM TO ASME Y14.5M-1994.
- ALL DIMENSIONS ARE IN MILLIMETERS, ANGLES ARE IN DEGREES.
- N IS THE TOTAL NUMBER OF TERMINALS.
- THE TERMINAL #1 IDENTIFIER AND TERMINAL NUMBERING CONVENTION SHALL CONFORM TO JESD 95-1 SPP-012. DETAILS OF TERMINAL #1 IDENTIFIER ARE OPTIONAL, BUT MUST BE LOCATED WITHIN THE ZONE INDICATED. THE TERMINAL #1 IDENTIFIER MAY BE EITHER A MOLD OR MARKED FEATURE.
- DIMENSION b APPLIES TO METALLIZED TERMINAL AND IS MEASURED BETWEEN 0.25 mm AND 0.30 mm FROM TERMINAL TIP.
- ND AND NE REFER TO THE NUMBER OF TERMINALS ON EACH D AND E SIDE RESPECTIVELY.
- DEPOPULATION IS POSSIBLE IN A SYMMETRICAL FASHION.
- COPLANARITY APPLIES TO THE EXPOSED HEAT SINK SLUG AS WELL AS THE TERMINALS.
- DRAWING CONFORMS TO JEDEC MO220, EXCEPT FOR 0.4mm LEAD PITCH PACKAGE T4866-1.
- WARPAGE SHALL NOT EXCEED 0.10 mm.
- MARKING IS FOR PACKAGE ORIENTATION REFERENCE ONLY.
- NUMBER OF LEADS SHOWN FOR REFERENCE ONLY.

Maxim cannot assume responsibility for use of any circuitry other than circuitry entirely embodied in a Maxim product. No circuit patent licenses are implied. Maxim reserves the right to change the circuitry and specifications without notice at any time.

Maxim Integrated Products, 120 San Gabriel Drive, Sunnyvale, CA 94086 408-737-7600 13